

Tiggywinkles Fact Sheets

Making a Hedgehog Home

Materials

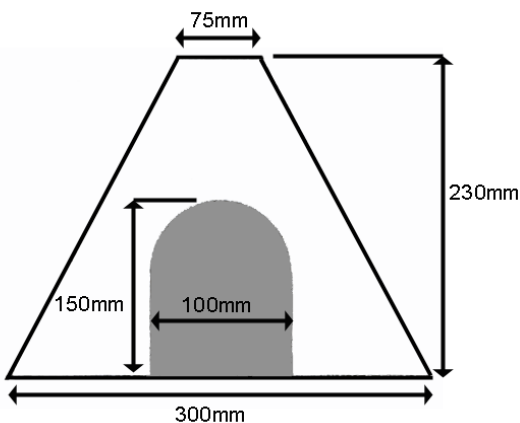
To make a hedgehog home you will need:

4 x pieces of 150mm (6"), featheredge board, 500mm (20") long.

1 x piece of timber for the capping, 75mm (3") half round or arris rail is easiest to obtain, 500mm (20") long.

(The section used in the picture is specially made for Tiggywinkles)

2 x shaped pieces, as shown below, for the front and back.



Front and Back

The front and back can be made out of 25mm (1") sawn timber or 19mm (3/4") waterproof plywood.

230mm (9") high

75mm (3") wide at top

300mm (12") wide at the bottom

An entrance hole 100mm (4") wide, 150mm (6") high, is required in one end.

Construction

The simplest way to fix the home together is with galvanised nails:

Start by fixing the bottom pieces of featheredge to the back and front pieces. Leave a 25mm (1") overhang, front and back, to keep the weather out. Then nail the top 2 pieces of featheredge on so that they are level with the top, they will overlap the bottom pieces.

Then finish the home by nailing on the capping, making sure it is placed evenly over-lapping both sides.



Copyright © Tiggywinkles, The Wildlife Hospital Trust
Registered Charity No. 286447
Aston Road, Haddenham, Aylesbury, Buckinghamshire HP17 8AF UK
Tel: 01844 292292 Fax: 01844 292640. Email: mail@sttiggywinkles.org.uk